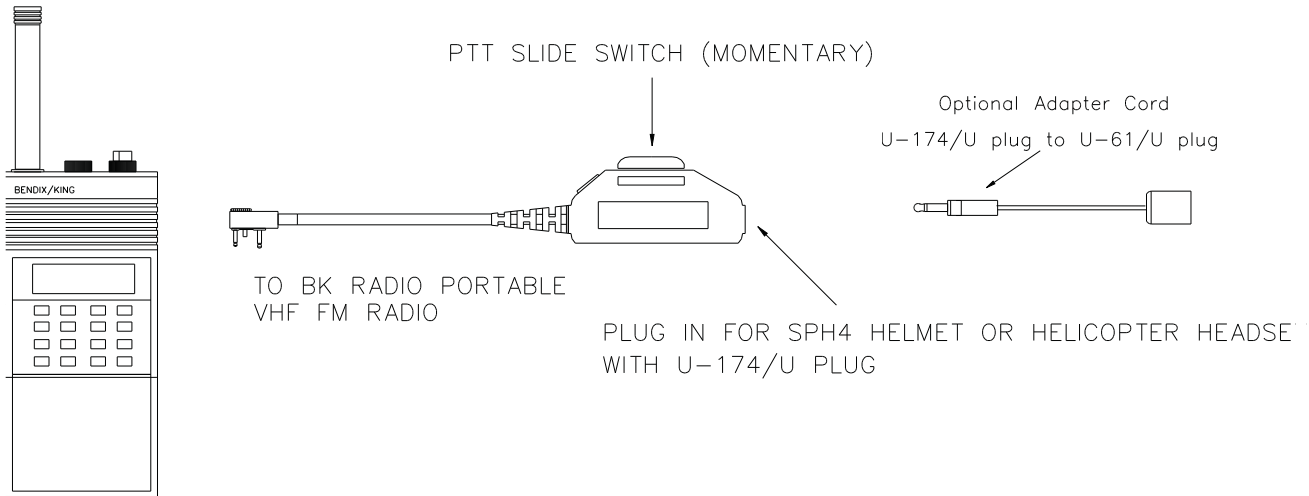


# Air Comm Systems, Inc.

## ACS 988 Series Portable Radio Adapters

ACS 988-3A PORTABLE RADIO ADAPTER



**AirComm**

Airborne Audio Products

**Air Comm Systems, Inc.**

1640 Acoma Blvd., Suite A-118

Lake Havasu City, AZ 86403

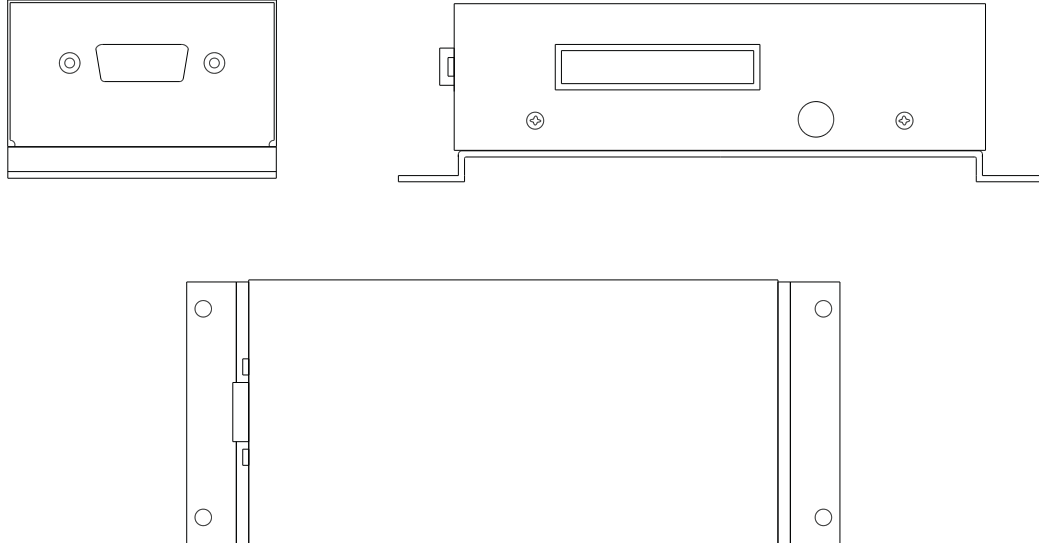
Phone 928-854-5402

Fax 928-854-8919

E-mail [aircomminc@aol.com](mailto:aircomminc@aol.com)

## ACS 988 Portable Radio Adapter Features and Physical Specifications

(Universal Radio Adapter - interface with any Audio Panel)



The ACS 988 Universal AUX Interface is a compact, remote mounted unit which provides the interface for the USFS/OAS AUX radio requirement in one compact package.

Due to the incompatibility between Land Mobile radios and Aircraft Audio systems, the ACS 988 provides the necessary mic interface and sidetone, and ensures operational compatibility between the portable radio adapter and Aircraft Audio Mixers built by NAT, Bendix/King, Andrea, etc.. The portable radio adapter plugs into the AUX connector ports (not included), which are interfaced into the ACS 988.

Designed to USFS/OAS specifications, the ACS 988 is a rugged, reliable unit which is built to survive in the demanding Forestry environment.

### Product Features

- Compact Size, rugged design
- Connector installation kit (crimp) included
- 1 year full warranty
- Approved for use on USFS contracts

### Specifications

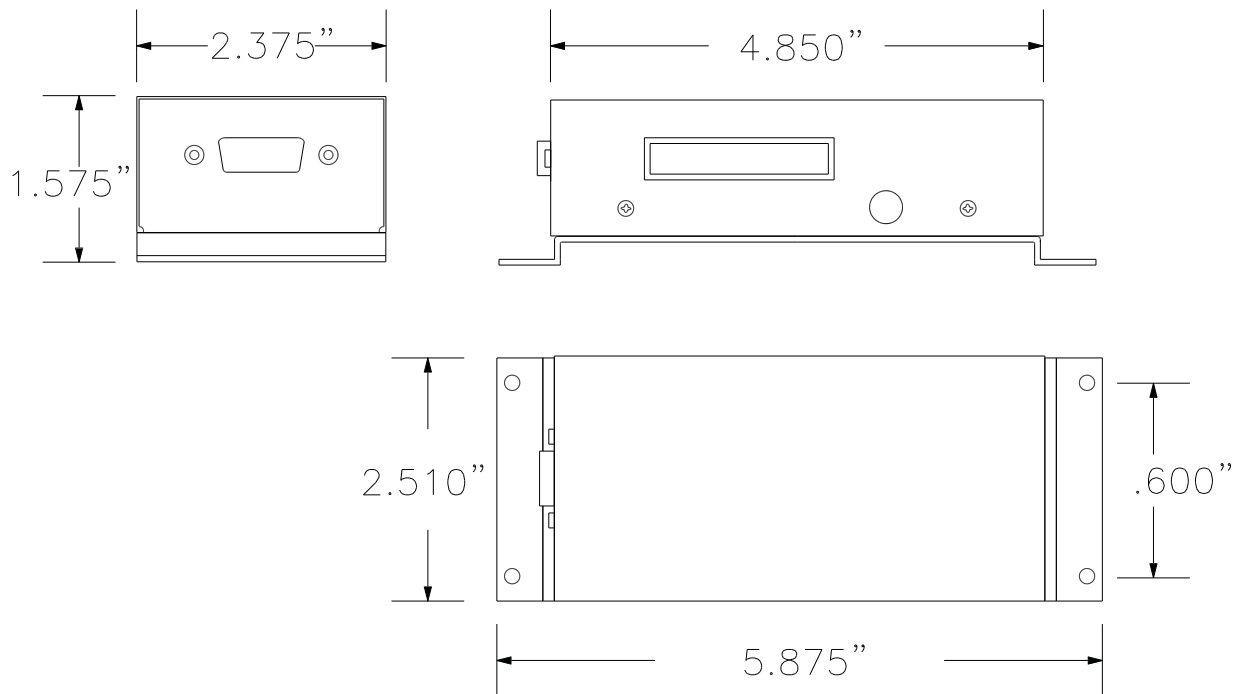
- Weight - .50 lb. (.25 kg)
- Dimensions - refer to Outline

### Current Users

- Aerotronics
- Air, Inc.
- Infinity Aviation
- Landells Aviation
- Riverside County Sheriff
- Siller Bros. - Aviation Division

# ACS 988 Portable Radio Adapter Physical Dimensions

## ■ Physical Dimension Outline

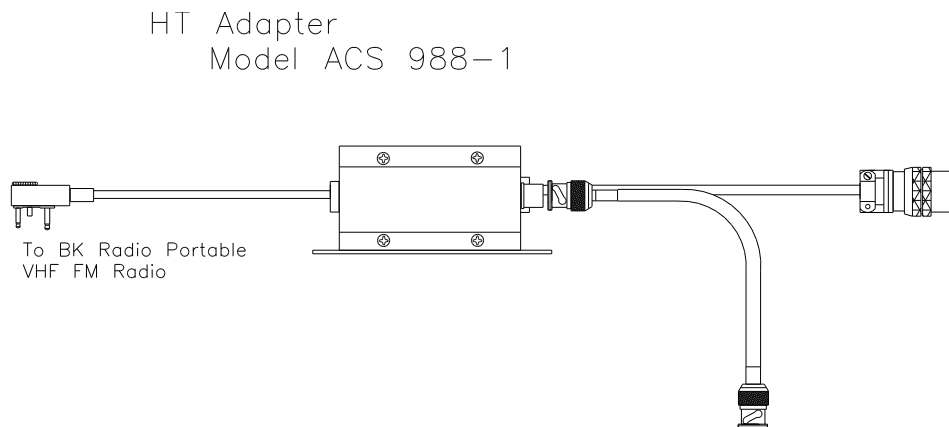


## ACS 988-1 Portable Radio Adapter (Aircraft AUX port to LPH/EPH Series Radio)

The ACS 988-1 Portable Radio Adapter provides a quick, effective way to interface a BK Radio (Bendix/King) LPH/EPH series portable radio to the aircraft AUX radio connector port in Forestry contract aircraft.

The ACS 988-1 provides the necessary interface between Portable radios and Aircraft Audio systems and ensures operational compatibility between the portable radio and the aircraft AUX port. Small and lightweight, the ACS 988-1A can be held in the palm of the hand, quick mounted in the aircraft using a velcro pad, or attached to the body using a belt clip (optional) for easy operation.

Designed to USFS/OAS specifications, the ACS 988-1 is an impact resistant, dependable unit which is built to withstand an extreme environment.



### Product Features

- Compact size, rugged design
- Provides complete interface to AUX port
- 1-Year full warranty
- Approved for use on USFS contracts

### Specifications

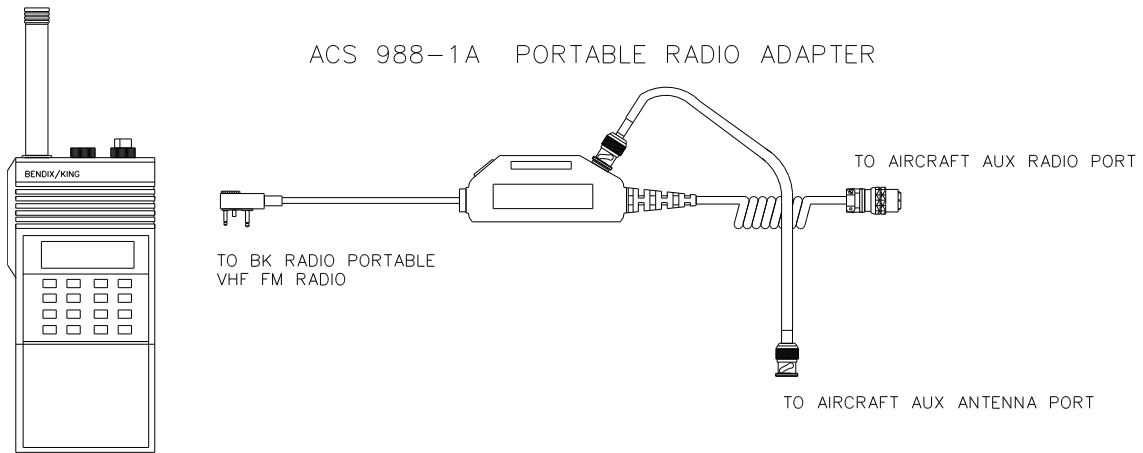
- Weight - .25 lb (.11 kg)

### Current Users

- Air One Helicopters
- Alaska Helicopters
- Bureau of Land Management
- Communication Services
- El Aero
- ERA Aviation
- Heli-Support
- Infinity Aviation
- Northwest Helicopters
- Orange County Sheriff
- Orange County Fire Dept.
- Siller Bros. Aviation
- USDA Forest Service

## ACS 988-1A Portable Radio Adapter

(Aircraft AUX port to LPH/EPH Series Radio — Slim-line case)



### Product Features

- Compact size, rugged design
- Provides complete interface to AUX port
- 1-Year full warranty
- Approved for use on USFS contracts

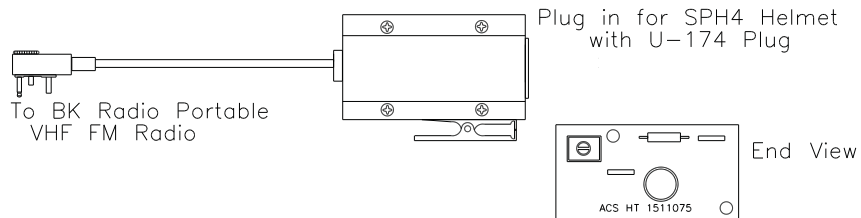
### Specifications

- Weight - .25 lb (.11 kg)

# ACS 988-3 Portable Radio Adapter

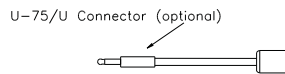
(Aircraft Helmet/Headset to LPH/EPH Series Radio)

HT Adapter ACS 988-3



## Options

- Adapter cord to interface with SPH4/5 helmet (U-75/U)



The ACS 988-3A Portable Radio Adapter is an “instant interface” between a BK Radio (Bendix/King) LPH/EPH series portable radio to a helicopter flight helmet (typically an SPH-4 series) or helicopter headset.

The ACS 988-3A provides the necessary interface and ensures operational compatibility between the portable radio and helicopter helmet/headset, allowing the user to monitor and transmit with the portable radio using the boom mic and PTT slide switch. The unit is ideal for ground personnel and flight crew members that must move in and out of the aircraft yet retain communications capability. Small and lightweight, the ACS-988-3A can be held in the palm of the hand, or attached to the body using a belt clip for easy operation.

Designed to USFS/OAS specifications, the ACS 988-3A is a rugged, reliable unit which is built to survive in the demanding Forestry environment.

## Product Features

- Compact size, rugged design
- Provides complete interface to flight helmet and/or helicopter headset
- 1-Year full warranty
- Approved for use on USFS contracts

## Specifications

- Weight - .25 lb. (.11 kg)

## Current Users

- Bureau of Land Management
- Orange County Fire Dept.
- USDA - Forest Service
- Various National Parks

# ACS 988-3A Portable Radio Adapter

(Aircraft Helmet/Headset to LPH/EPH Series Radio - Slim-line case)

## Product Features

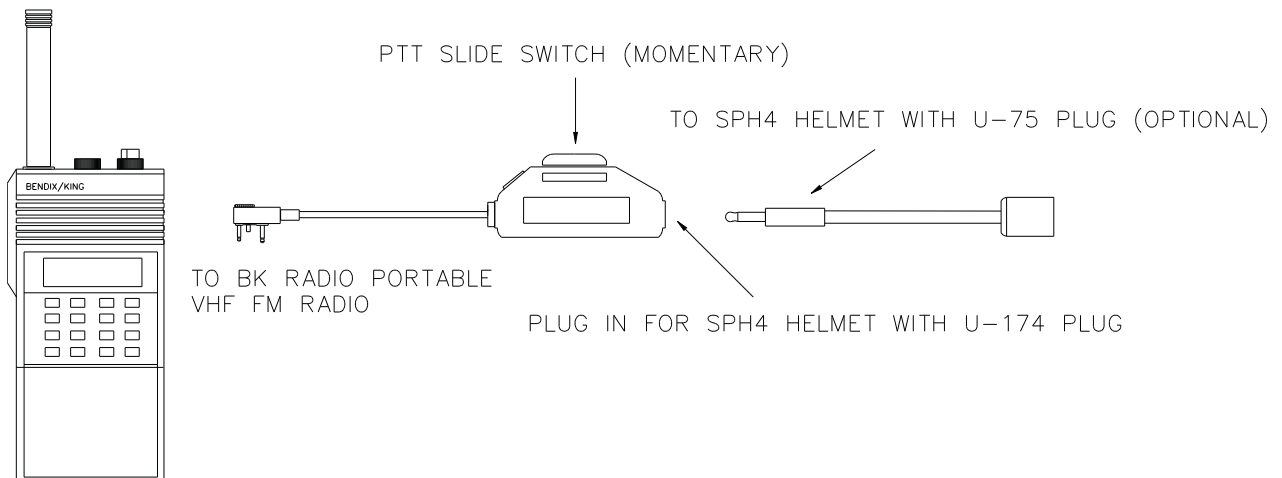
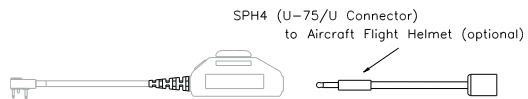
- Compact size, rugged design
- Provides complete interface to flight helmet and/or helicopter headset
- 1-Year full warranty
- Approved for use on USFS contracts

## Specifications

- Weight - .25 lb. (.11 kg)

## Options

- Adapter cord to interface with SPH4/5 helmet (U-75/U)



## ACS 988 Series Portable Radio Adapters Warranty Information

### ■ Warranty Information

Air Comm Systems, Inc. warrants each new product to be free from defective material and workmanship and agrees to remedy any defect or to furnish a new part in exchange for any defective unit provided an examination discloses such defect occurred under normal use and service, and provided the defective unit is delivered to us, with transportation charges prepaid, within 1 year from the date of acceptance of equipment by the owner. Each unit required and claimed defective must be returned to:

**Air Comm Systems, Inc.**  
1640 Acoma Blvd., Suite A-118  
Lake Havasu City, AZ 86403  
Attn: Service Dept.

Phone 928-854-5402  
Fax 928-854-8919  
EMail [aircomminc@aol.com](mailto:aircomminc@aol.com)

This warranty does not extend to any products which have been subjected to misuse, neglect, accident, or in violation of instructions furnished, nor does it extend to units which have been repaired or altered outside of our factory except where such repairs are specifically authorized in writing by us.

This warranty is in lieu of all other warranties expressed or implied, and no representative or person is authorized to assume for us any other liability in connection with the sale of our products.